

SECTION **PWO**
POWER OUTLET

A
B
C
D
E
F
G
H
I
J
K
L
N
O
P

CONTENTS

PRECAUTION	2	Wiring Diagram	3
PRECAUTIONS	2	PREPARATION	6
Precaution for Supplemental Restraint System (SRS) "AIR BAG" and "SEAT BELT PRE-TEN- SIONER"	2	PREPARATION	6
Precaution for Work	2	Special Service Tool	6
WIRING DIAGRAM	3	REMOVAL AND INSTALLATION	7
POWER SOCKET	3	POWER SOCKET	7
		Removal and Installation	7

PWO

PRECAUTIONS

< PRECAUTION >

PRECAUTION

PRECAUTIONS

Precaution for Supplemental Restraint System (SRS) "AIR BAG" and "SEAT BELT PRE-TENSIONER"

INFOID:000000009465124

The Supplemental Restraint System such as "AIR BAG" and "SEAT BELT PRE-TENSIONER", used along with a front seat belt, helps to reduce the risk or severity of injury to the driver and front passenger for certain types of collision. This system includes seat belt switch inputs and dual stage front air bag modules. The SRS system uses the seat belt switches to determine the front air bag deployment, and may only deploy one front air bag, depending on the severity of a collision and whether the front occupants are belted or unbelted. Information necessary to service the system safely is included in the SR and SB section of this Service Manual.

WARNING:

- **To avoid rendering the SRS inoperative, which could increase the risk of personal injury or death in the event of a collision which would result in air bag inflation, all maintenance must be performed by an authorized NISSAN/INFINITI dealer.**
- **Improper maintenance, including incorrect removal and installation of the SRS, can lead to personal injury caused by unintentional activation of the system. For removal of Spiral Cable and Air Bag Module, see the SR section.**
- **Do not use electrical test equipment on any circuit related to the SRS unless instructed to in this Service Manual. SRS wiring harnesses can be identified by yellow and/or orange harnesses or harness connectors.**

PRECAUTIONS WHEN USING POWER TOOLS (AIR OR ELECTRIC) AND HAMMERS

WARNING:

- **When working near the Airbag Diagnosis Sensor Unit or other Airbag System sensors with the Ignition ON or engine running, DO NOT use air or electric power tools or strike near the sensor(s) with a hammer. Heavy vibration could activate the sensor(s) and deploy the air bag(s), possibly causing serious injury.**
- **When using air or electric power tools or hammers, always switch the Ignition OFF, disconnect the battery, and wait at least 3 minutes before performing any service.**

Precaution for Work

INFOID:000000009724824

- When removing or disassembling each component, be careful not to damage or deform it. If a component may be subject to interference, be sure to protect it with a shop cloth.
- When removing (disengaging) components with a screwdriver or similar tool, be sure to wrap the component with a shop cloth or vinyl tape to protect it.
- Protect the removed parts with a shop cloth and prevent them from being dropped.
- Replace a deformed or damaged clip.
- If a part is specified as a non-reusable part, always replace it with a new one.
- Be sure to tighten bolts and nuts securely to the specified torque.
- After installation is complete, be sure to check that each part works properly.
- Follow the steps below to clean components:
 - Water soluble dirt:
 - Dip a soft cloth into lukewarm water, wring the water out of the cloth and wipe the dirty area.
 - Then rub with a soft, dry cloth.
 - Oily dirt:
 - Dip a soft cloth into lukewarm water with mild detergent (concentration: within 2 to 3%) and wipe the dirty area.
 - Then dip a cloth into fresh water, wring the water out of the cloth and wipe the detergent off.
 - Then rub with a soft, dry cloth.
 - Do not use organic solvent such as thinner, benzene, alcohol or gasoline.
 - For genuine leather seats, use a genuine leather seat cleaner.

POWER SOCKET

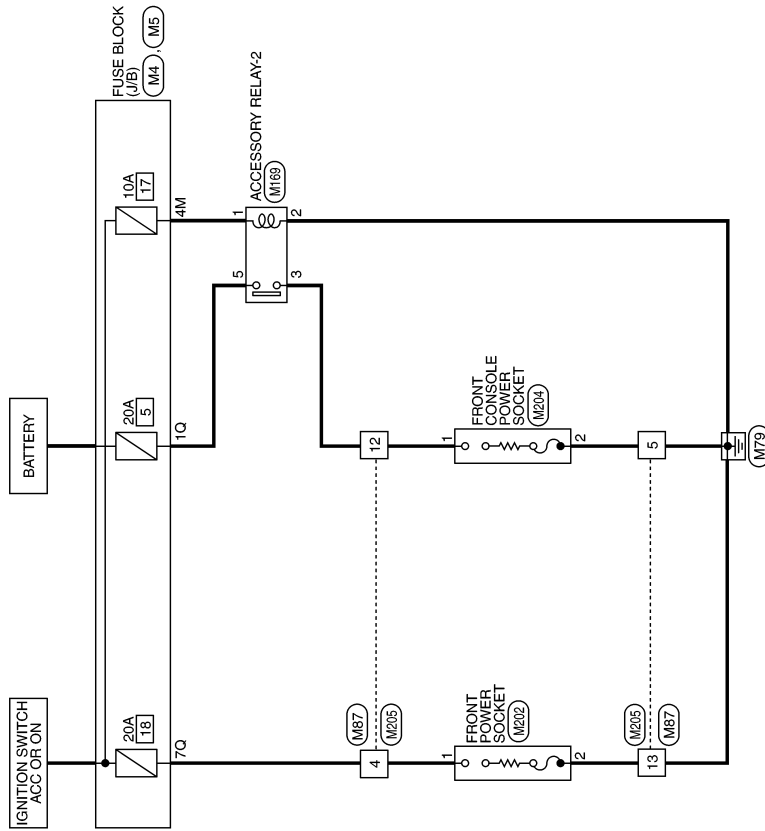
< WIRING DIAGRAM >

WIRING DIAGRAM

POWER SOCKET

Wiring Diagram

INFOID:000000009465126



POWER SOCKET

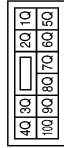
PWO

POWER SOCKET

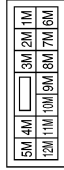
< WIRING DIAGRAM >

POWER SOCKET CONNECTORS

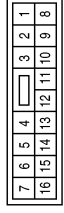
Connector No.	M4
Connector Name	FUSE BLOCK (J/B)
Connector Color	WHITE



Connector No.	M5
Connector Name	FUSE BLOCK (J/B)
Connector Color	WHITE



Connector No.	M87
Connector Name	WIRE TO WIRE
Connector Color	BROWN



Terminal No.	Color of Wire	Signal Name
1Q	L	-
7Q	R/B	-

Terminal No.	Color of Wire	Signal Name
4M	V/Y	-

Terminal No.	Color of Wire	Signal Name
4	R/B	-
5	B	-
12	R/W	-
13	B	-

Connector No.	M169
Connector Name	ACCESSORY RELAY-2
Connector Color	BLUE



Connector No.	M202
Connector Name	FRONT POWER SOCKET
Connector Color	BLACK



Connector No.	M204
Connector Name	FRONT CONSOLE POWER SOCKET
Connector Color	BLACK



Terminal No.	Color of Wire	Signal Name
1	V/Y	-
2	B	-
3	R/W	-
5	L	-

Terminal No.	Color of Wire	Signal Name
1	R/B	-
2	B	-

Terminal No.	Color of Wire	Signal Name
1	R/W	-
2	B	-

ABMIA3921GB

POWER SOCKET

< WIRING DIAGRAM >

A
B
C
D
E
F
G
H
I
J
K
L
N
O
P

Connector No.	M205
Connector Name	WIRE TO WIRE
Connector Color	BROWN

1	2	3	4	5	6	7
8	9	10	11	12	13	14



Terminal No.	Color of Wire	Signal Name
4	R/B	-
5	B	-
12	R/W	-
13	B	-

PWO

AAMIA0950GB

PREPARATION

< PREPARATION >

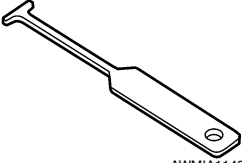
PREPARATION

PREPARATION

Special Service Tool

INFOID:000000009465127

The actual shapes of the tools may differ from those illustrated here.

Tool number TechMate No.) Tool name	Description
— (J-42059) Power socket removal tool 	For removing power sockets

POWER SOCKET

< REMOVAL AND INSTALLATION >

REMOVAL AND INSTALLATION

POWER SOCKET

Removal and Installation

INFOID:000000009465128

POWER SOCKET

NOTE:

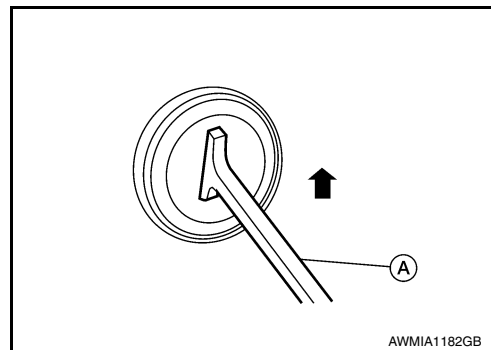
If the tool does not fit because of the location of the power socket, further disassembly may be required. Refer to [IP-14, "Removal and Installation"](#).

Removal

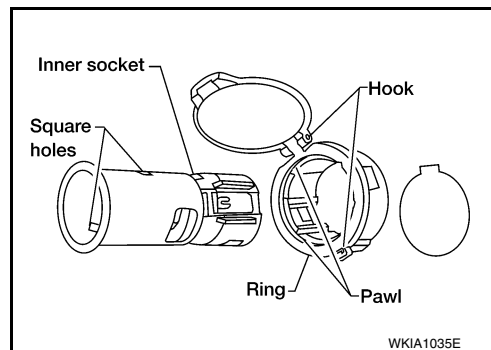
1. Remove the fuse for the power socket.
2. Insert one end of the Tool (A) into one of the square holes inside the power socket.

Tool number: — (J-42059)

3. Lift up the handle of the Tool until the other end of the Tool is inside the socket and snaps into the other square hole in the power socket.
4. Pull the power socket straight out with the Tool.



5. Disconnect connector from the power socket.
6. Remove ring from power socket finisher while pressing pawls.

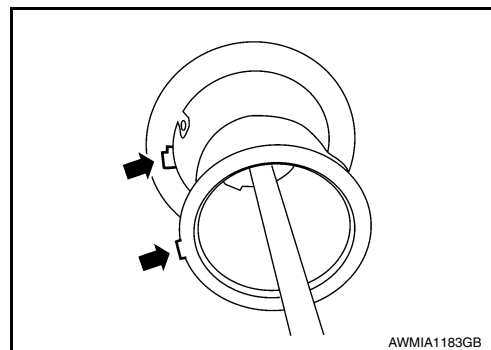


Installation

Installation is in the reverse order of removal.

NOTE:

Make sure to align the tab with the square notched area during installation.



A
B
C
D
E
F
G
H
I
J
K
L
PWO
N
O
P